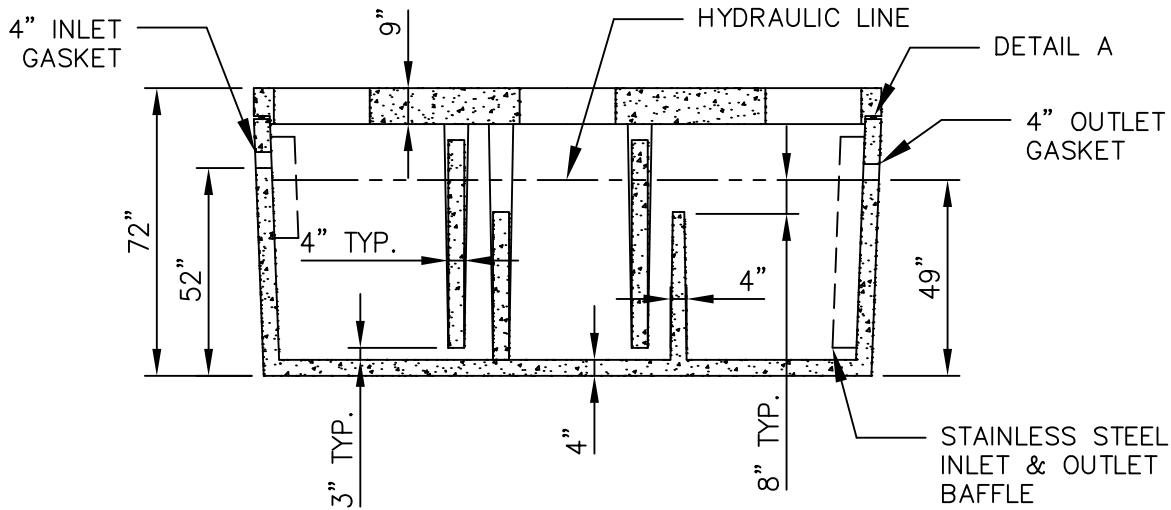
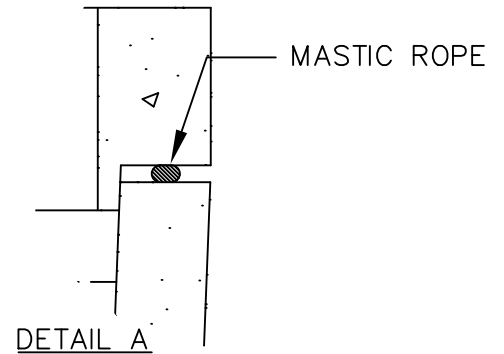


PLAN VIEW



SECTION VIEW



SPECIFICATIONS

5000PSI WITH SUPER PLASTICIZER

BOTTOM AND SIDES ARE REINFORCED WITH 4x4 4 GAUGE WWF

TOP IS REINFORCED WITH 1/2" GRADE 60 REBAR ON 12" CENTERS

WALLS, BASE, AND TOP SLAB DESIGNED FOR H-20 LOADING

MAXIMUM 5' OF EARTH COVER OVER TOP SLAB

TANK SIZE: APPROX. 1600 GALLONS

BAFFLES ARE SECURED WITH HYDRAULIC CEMENT

THIS DOCUMENT MAY NOT BE DISTRIBUTED, MODIFIED, ALTERED, OR REPRODUCED IN WHOLE OR IN PART WITHOUT THE PRIOR WRITTEN PERMISSION OF MARYLAND CONCRETE SEPTIC TANK INC.

REVISION	SIGNOFF
Number	Date Initial
1	
2	
3	
4	
5	
6	
7	
8	

**Maryland Concrete Inc.**

WSSC GREASE/SAND/OIL INTERCEPTOR  
1600 GALLON  
HEAVY TRAFFIC RATED

DRAWN: JMH 5/21/13  
CHECKED: TLG 5/21/13  
SCALE: 1/4" = 1'

**No. MC004**

DATE	REVISION DESCRIPTION	DESIGNER/CHECKER
9/4/13	ISSUED FOR CONSTRUCTION	JMH/TLG