

PLAN VIEW

SPECIFICATIONS

5000PSI WITH SUPER PLASTICIZER

BOTTOM AND SIDES ARE REINFORCED WITH 4x4  
4 GAUGE WWF

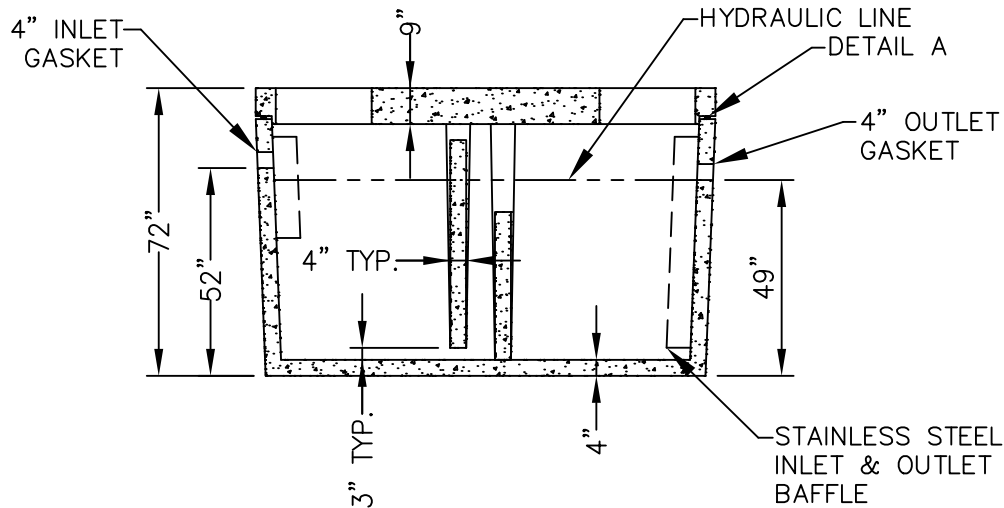
TOP IS REINFORCED WITH 1/2" GRADE 60 REBAR  
ON 12" CENTERS

WALLS, BASE, AND TOP SLAB DESIGNED FOR  
H-20 LOADING

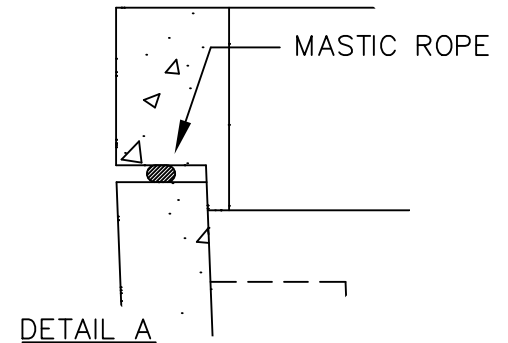
MAXIMUM 5' OF EARTH COVER OVER TOP SLAB

TANK SIZE: APPROX. 1000 GALLONS

BAFFLES ARE SECURED WITH HYDRAULIC CEMENT



SECTION VIEW



THIS DOCUMENT MAY NOT BE DISTRIBUTED, MODIFIED, ALTERED, OR REPRODUCED IN WHOLE OR IN PART WITHOUT THE PRIOR WRITTEN PERMISSION OF MARYLAND CONCRETE SEPTIC TANK INC.

REVISION	DATE	INITIAL	DESCRIPTION
1			
2			
3			
4			
5			
6			
7			
8			

**Maryland Concrete Inc.**

WSSC GREASE/SAND/OIL INTERCEPTOR  
1000 GALLON  
HEAVY TRAFFIC RATED

---

DRAWN: TLG 5/27/14  
CHECKED:  
SCALE: 1/4" = 1'

**No. MC105**

DATE	REVISION DESCRIPTION	DESIGNER/CHECKER
9/4/13	ISSUED FOR CONSTRUCTION	JMH/TLG