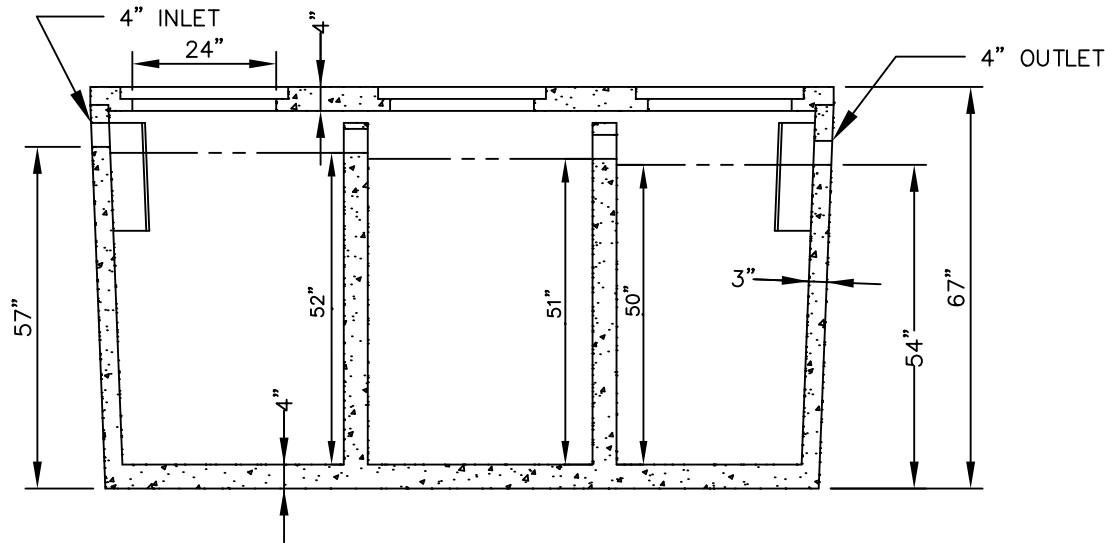


PLAN VIEW



SECTION VIEW

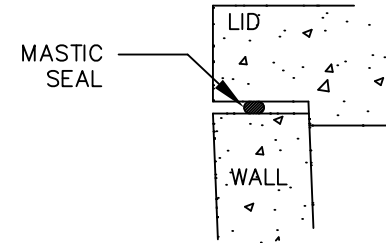
SPECIFICATIONS

5000PSI WITH SUPER PLASTICIZER

BOTTOM AND SIDES ARE REINFORCED WITH 6X6X10 GAUGE WIRE

TOP IS REINFORCED WITH 1/2" GRADE 60 REBAR ON 12" CENTERS

POLYLOK III PRESSURE RATED RUBBER SEALS AVAILABLE UPON REQUEST



SEAL DETAIL

THIS DOCUMENT MAY NOT BE DISTRIBUTED, MODIFIED, ALTERED, OR REPRODUCED IN WHOLE OR IN PART WITHOUT THE PRIOR WRITTEN PERMISSION OF MARYLAND CONCRETE SEPTIC TANK INC.

REVISION	DATE	INITIAL
3		
2		
1		
0	9/4/13	

Maryland Concrete Inc.		
1500 GALLON THREE COMPARTMENT SEPTIC TANK		
AS PER DEP REGULATIONS		
443 491 3598 (o) 410 357 5297 (f)		
DRAWN: TLG 6/10/13		No. MC064
CHECKED:		
SCALE: 3/8" = 1'		

REVISION	DATE	REVISION DESCRIPTION	DESIGNER/CHECKER
3			
2			
1			
0	9/4/13	ISSUED FOR CONSTRUCTION	TLG