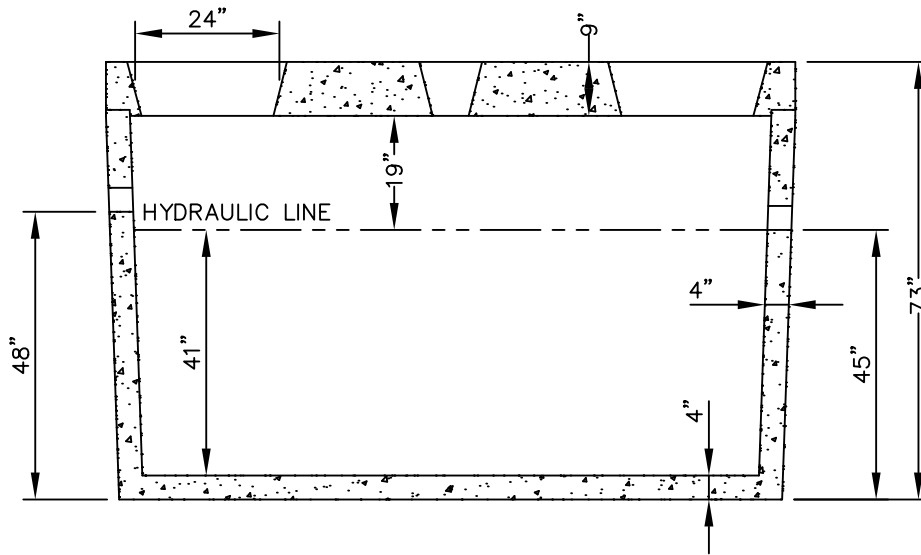


PLAN VIEW



SECTION VIEW

SPECIFICATIONS

5000PSI @ 28 DAYS

REINFORCEMENT TO ASTM A-615 GRADE 60

TOP SLAB:

#5 @ 6" O/C SHORT WAY

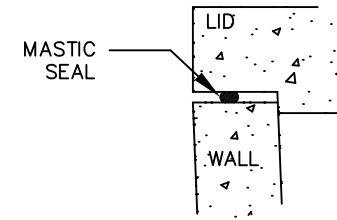
#4 @ 10" O/C LONG WAY

HS-20 TRAFFIC RATED TOP SLAB

MAX FILL HEIGHT NOT TO EXCEED 3' ABOVE TOP SLAB

POLYLOK III PRESSURE RATED RUBBER SEALS
AVAILABLE UPON REQUEST

STEEL HS-20 FRAME AND COVERS PROVIDED



SEAL DETAIL

THIS DOCUMENT MAY NOT BE DISTRIBUTED, MODIFIED, ALTERED, OR REPRODUCED IN WHOLE OR IN PART WITHOUT THE PRIOR WRITTEN PERMISSION OF MARYLAND CONCRETE SEPTIC TANK INC.

REVISION	SIGNOFF
Number	Date Initial
1	
2	
3	
4	
5	
6	
7	
8	

Maryland Concrete Inc.

1000 GALLON SINGLE COMPARTMENT GREASE TRAP

DRAWN: JMH 7/9/13

CHECKED: TLG 7/9/13

SCALE: 3/8" = 1'

No. MC024

4			
3			
2			
0	7/9/13	ISSUED FOR CONSTRUCTION	JMH/TLG
	DATE	REVISION DESCRIPTION	DESIGNER/CHECKER